

# USER MANUAL

## Quick Install Guide



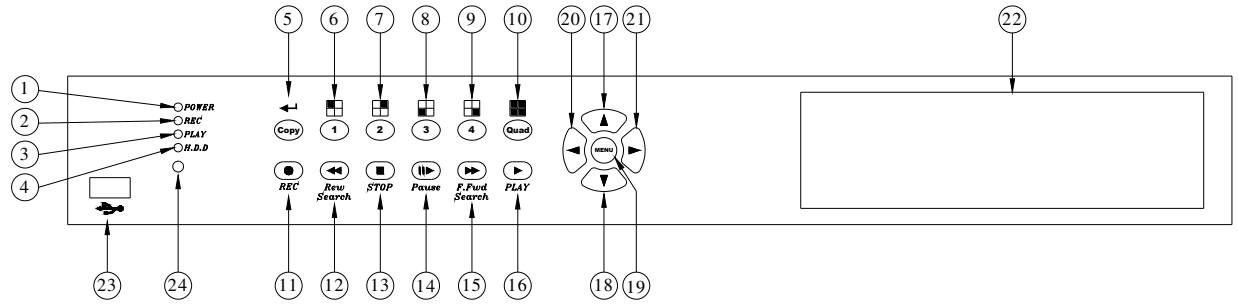
## 4 CHANNELS DIGITAL VIDEO RECORDER ( MPEG-4 DVR )

<Please refer to CD-ROM for more details>



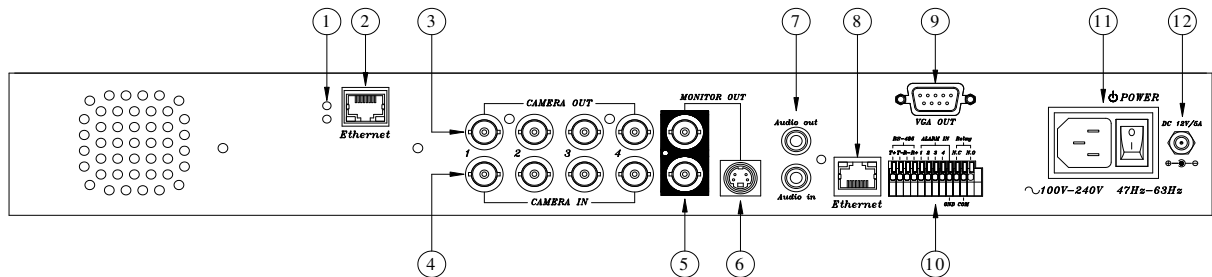
# Hardware Overview

## A. Front Panel Layout Overview



Part	Label	DVR Function	PTZ Function	Part	Label	DVR Function	PTZ Function
1	POWER	Power status LED.		2	REC	Recording status LED.	
3	PLAY	Playback status LED.		4	H.D.D	H.D.D. LED.	
5	Copy	Confirm or Copy.		6	1	Channel One Full Screen & Number 1	
7	2	Channel Two Full Screen & Number 2		8	3	Channel Three Full Screen & Number 3	
9	4	Channel Four Full Screen & Number 4		10	Quad	Quad screen: All cameras are displayed.	
11	REC	Recording button.		12	Rew Search	Fast Backward × 32.	Zoom out
13	STOP	Press STOP to stop playback or recording.	Auto scan	14	Pause	Pause & Field by Field Forward.	Home
15	F.Fwd Search	Fast Forward ×2, ×8, ×16, ×32, ×64.	Enter or Exit PTZ mode	16	PLAY	PLAY button & Get into Quick Time Search.	Zoom in
17	▲	Move upward or increase the number.	Up	18	▼	Move downward or decrease the number.	Down
19	MENU	Press MENU to enter or exit MENU.	PTZ Setup	20	◀	Move leftward or decrease the number.	Left
21	▶	Move rightward or increase the number.	Right	22	HDD	HDD, CD R/W, and DVD R/W.	
23		USB connector.		24	○	IR Sensor for remote control.	

## B. BACK PANEL



NO.	ITEM	FUNCTION
1	LED	Reserve.
2	Ethernet	Reserve.
3	CAMERA OUT	Camera 1-4 video output with BNC connector.
4	CAMERA IN	Camera 1-4 video input with BNC connector.

5	MONITOR OUT	Composite Output can connect with the monitor directly and support two BNC outputs.
6	S VIDEO OUT	Y/C Output.
7	Audio in / out	Audio Input/ Output.
8	Ethernet	RJ-45 Network Interface.
9	VGA OUT (D-SUB)	Connect to CRT or LCD monitor. (Optional)
10	RS-485	4-Pins. Connect to Joystick controller or PTZ control.
	ALARM IN	4-Pins. Alarm input.
	Relay	Relay output.
11	Power/ Power Switch	Reserve.
12	Power	DC 12V /5A.

## Specifications

System Type	NTSC	PAL
Resolution – Live	720×480	720×576
Video Input	BNC × 4	
Video Looping	BNC × 4	
Video Output	BNC × 2	
Audio Input	RCA × 1	
Audio Output	RCA × 1	
Storage Media	Max. 2 x IDE HDD (one Removable)	
Compression Format	MPEG-4	
Recording Rate	720 × 240 up to 30 PPS 360 × 240 up to 120 PPS	720 × 288 up to 25 PPS 360 × 288 up to 100 PPS
Recording Mode	Manual/ Alarm/ Schedule	
Playback Speed	Fast Forward ×2 ×8 ×16 ×32 ×64 Fast Backward ×32 Slow Forward 1/2 1/4 Field by Field Playback	
Title	6 Characters for each Camera	
OSD & Setup	Title/ Time/ Date/ Setup Menu	
Alarm Input	× 4 N.O./ N.C. Programmable	
Relay Output	× 1 N.O./ N.C. Programmable	
RS-485 Port	Yes	
PTZ Control	Yes	
Network Compression Format	MPEG-4	
IR Remote Control	Yes	
Backup	USB, CD R/W, DVD R/W, & Network	
VGA Output	Optional	
Password	For System and HDD Format	
Key Lock	Yes	
Power Input	DC 12V / 5A	
Dimensions W×H×D (mm)	432 (W) × 55 (H) × 321 (D)	
Weight	5.0 Kg	