



INSTRUCTION MANUAL

# **DOME HOUSING**

(CEILING MOUNT/ WALL MOUNT)



Please thoroughly familiarize yourself with the information in this manual prior to installation and operation

*Rev.040201*

# 1. GENERAL

## 1.1 IMPORTANT SAFEGUARDS

Prior to install and use of this product, the following WARNINGS should be observed.

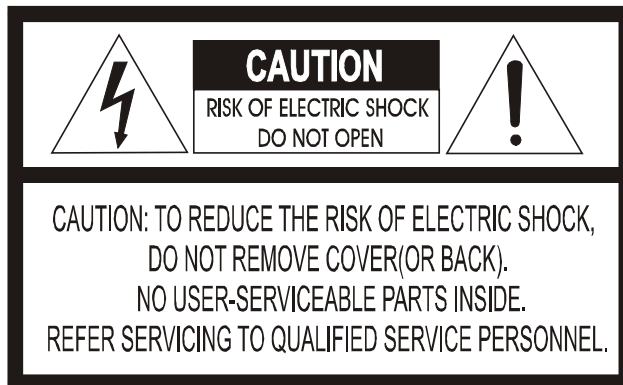
1. Installation and servicing should only be done by qualified service personnel and conform to all local codes.
2. Unless the unit is specifically marked as a IPXX, it is designed for indoor use only and it must not be installed where exposed to rain and moisture.
3. After replacement/repair of this unit's electrical components, conduct a resistance measurement between line and exposed parts to verify the exposed parts have not been connected to line circuitry
4. The installation method and materials should be capable of supporting four times the weight of the housing and dome camera combination.

## 1.2 WARNING AND CAUTION

### WARNING

TO REDUCE THE RISK OF FIRE OR ELECTRIC SHOCK, DO NOT EXPOSE THIS PRODUCT TO RAIN OR MOISTURE. DO NOT INSERT ANY METALLIC OBJECTS THROUGH THE VENTILATION GRILLS OR OTHER OPENINGS ON THE EQUIPMENT.

### CAUTION



## EXPLANATION OF GRAPHICAL SYMBOLS



The lightning flash with arrowhead symbol, within an equilateral triangle, is intended to alert the user to the presence of uninsulated "dangerous voltage" within the product's enclosure that may be of sufficient magnitude to constitute a risk of electric shock to persons.



The exclamation point within an equilateral triangle is intended to alert the user to the presence of important operating and maintenance (servicing) instruction in the literature accompanying the product.

## 2. DESCRIPTION

The Indoor/Outdoor dome housing is used with dome camera. The housing is constructed of aluminum, steel and plastic. The housing is designed to be mounted both wall and ceiling. The housing meets international IP65 standards for dust and moisture resistance. Sunshield model is available for application to avoid the direct rays of the sun.

## 3. INSTALLATION

1. Attach the mounting base to ceiling or wall using the supplied M6 tapping screw and plastic bushing.
2. Wind the both thread of the pipe end with Teflon tape about 20 times for sealing. Then use a silicone rubber sealant to seal the area where the base bracket and the pipe meet.

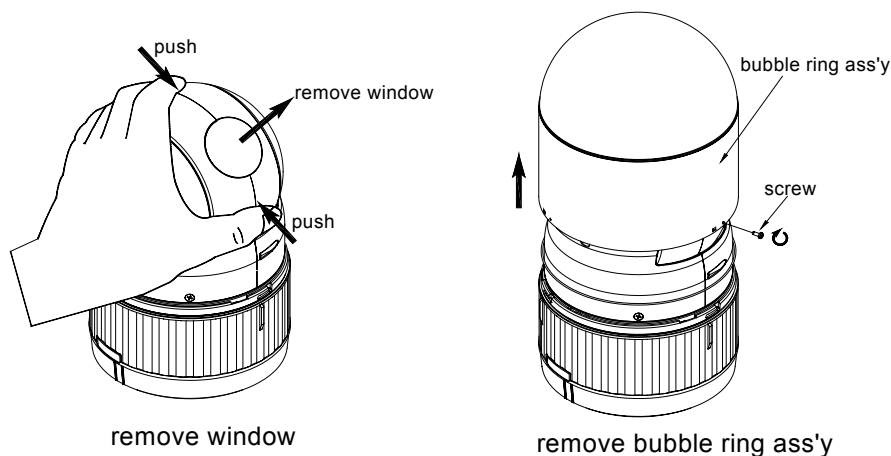
**CAUTION :** A silicone rubber sealant must be applied to seal the housing to secure waterproofing.

3. Pull all the required cables through the base and pipe.
4. Fit the pipe whose thread is wound with Teflon tape to the base and turn until it is securely fastened.
5. Loosen three screws(No.108) on the ring (No.203) and the base bracket(No.201) and connect power of 24VAC to "AC IN" of fan & heater board(No.400). Again, Fasten three screws(No.108).
6. Connect power and communication lines to the dome base board. (*Refer to Figure 2*)
7. Fasten the dome base on the base bracket(No.201) using 3 screws(No.505).
8. Attach the dome body to the dome base. Align arrow mark of dome base with unlock mark of dome body. Push dome body and turn to the lock mark direction.

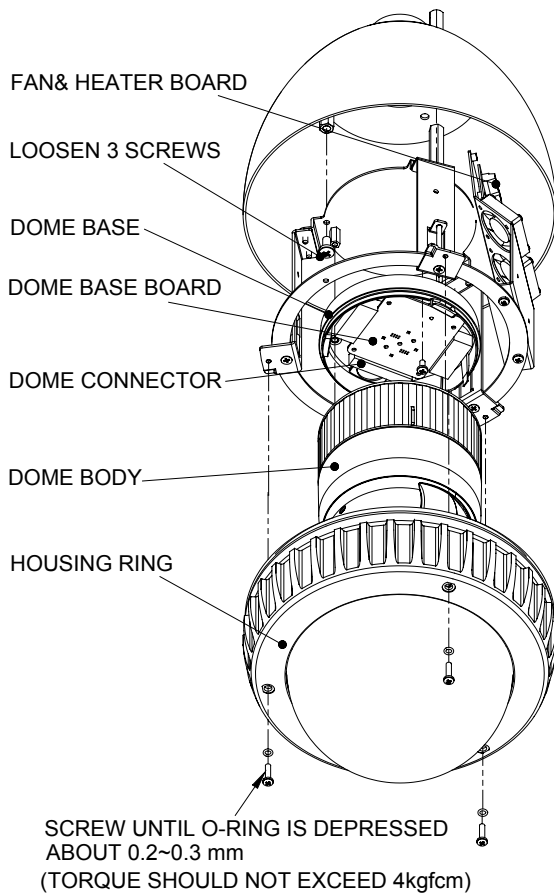
*Note :* It is recommended to remove window and bubble ring ass'y for improving picture quality.

9. Fasten the housing ring(No.104) to external housing(No.102) using 3 screws(No.107).

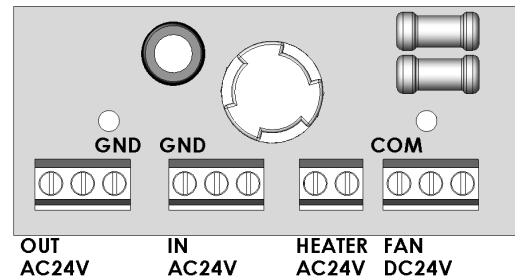
*Note :* Screw until o-ring is depressed about 0.2~0.3mm. Locking torque should not exceed 4kgf-cm.



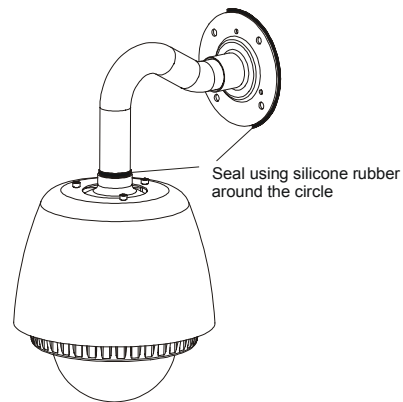
**Figure 1. Remove window and bubble ring ass'y**



**Figure 2. Installation Drawing**



**Figure 3. Input Wiring Diagram**



**Figure 4. Sealing position**

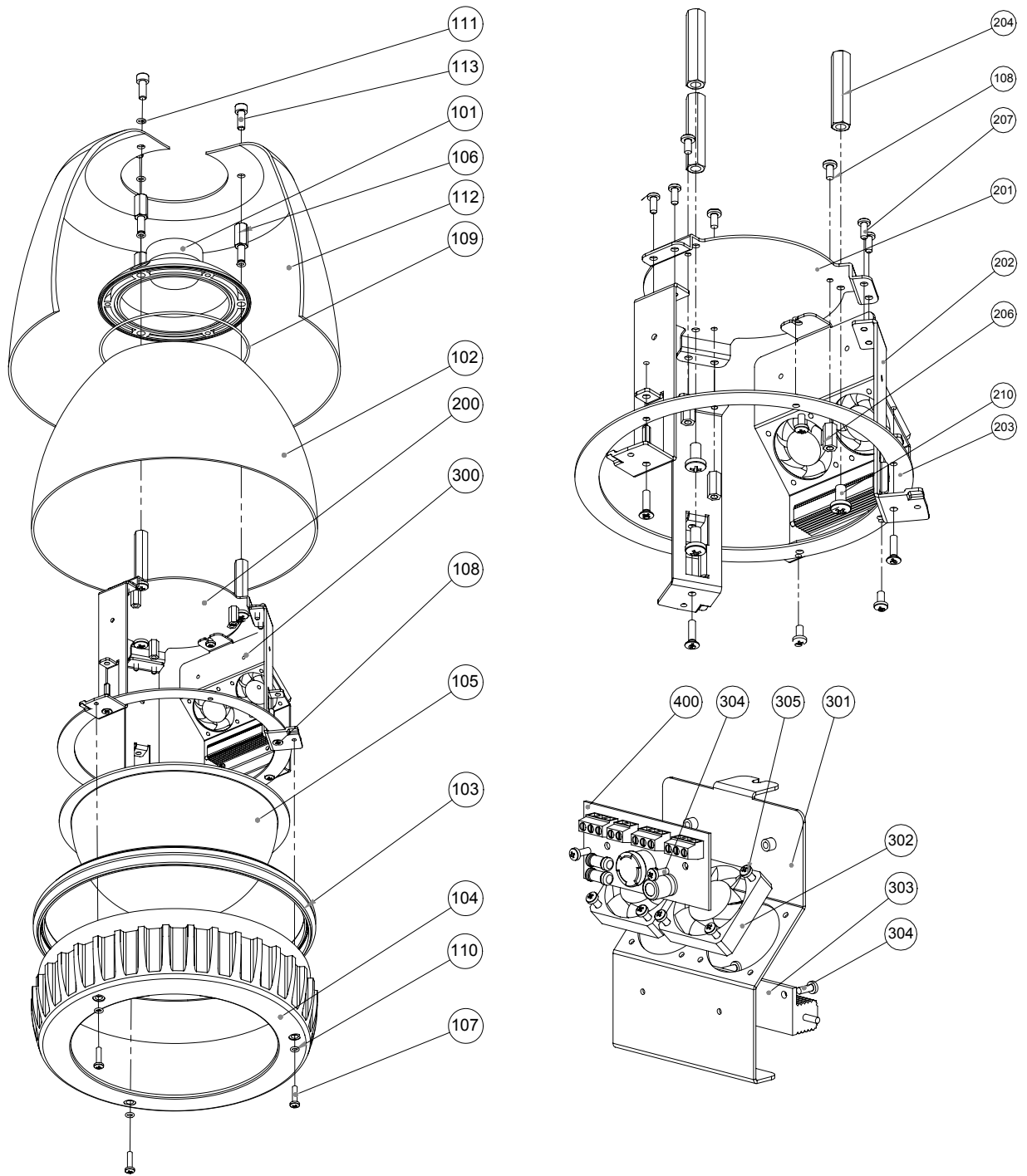
## 4. OPERATION

This housing has thermostatically controlled heater, the thermostat is set to turn it on  $5^{\circ}\text{C}(\pm 5^{\circ}\text{C})$  and to turn it off on  $15^{\circ}\text{C}(\pm 5^{\circ}\text{C})$ .

## 5. MAINTENANCE

Perform the following maintenance at regularly scheduled intervals to prolong the operational life and appearance of the equipment.

Clean the bubble with a mild nonabrasive detergent in water and a soft cloth to maintain picture clarity.



**Figure 4. Exploded Assembly Diagram**

## 5.1 PARTS LIST

NO	PART NAME	MATERIAL	QTY.
101	MOUNT BASE	AL	1
102	EXTERNAL HOUSING	AL	1
103	GASKET SEAL	SILICONE	1
104	HOUSING RING	ABS	1
105	HOUSING DOME(DIA.=173)	ACRYL	1
106	STANDOFF SCREW SUNSHIELD	MSWR	3
107	SCREW PH M4X25 SUS	SUS	3
108	SCREW PH M4X8 ZN	MSWR(BLACK)	6
109	O-RING(S125)	RUBBER	1
110	O-RING(SMALL) P-4	RUBBER	3
111	O-RING(SMALL) P-6	RUBBER	6
112	SUNSHIELD	AL	1
113	SCREW WRENCH M6X16 SUS	SUS	3
201	BASE BRACKET	STEEL(EGI)	1
202	GUIDE BRACKET	STEEL(EGI)	3
203	DOME RING	STEEL(EGI)	1
204	STANDOFF M6X48 HEX	MSWR	3
205	SCREW PH M6X16	MSWR	3
206	STANDOFF M4X15 HEX	MSWR	3
207	SCREW TC2 M4X12	MSWR	6
301	BRACKET FAN&HEATER	AL	1
302	FAN 40X40X10	DC 24V	2
303	HEATER 50W	AC 24V	1
304	SCREW PH M3X6		6
305	SCREW PH M3X16		8
400	ASS'Y PCB		1

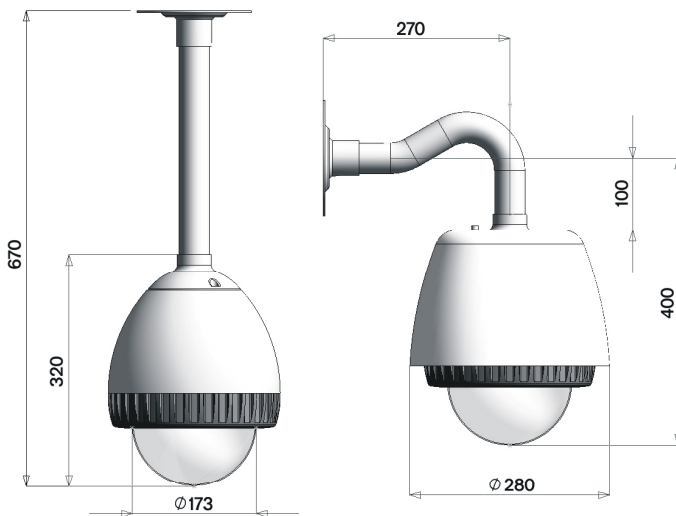
## 5.2 ACCESSORIES

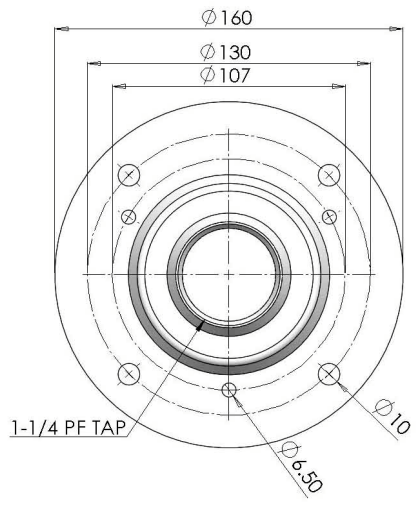
501	PLASTIC BUSHING		3
502	SCREW TAPPING M6X30	SUS	3
503	SET SCREW M4X4	SUS	1
504	SCREW MACHINE M4X25	SUS	3
505	SCREW MACHINE M4X8		3
506	O-RING(SMALL) P-4	RUBBER	3
507	O-RING(SMALL) P-5	RUBBER	3
508	L-LENCH 5mm		1
509	L-LENCH 2mm		1
510	RTV SILICONE BOND		1

## 6. SPECIFICATIONS

ELECTRICAL	
Power source :	24VAC, 50/60Hz
Power consumption :	Heater 50watts
	Blower 6watts
	Dome camera 20watts
MECHANICAL	
Construction :	Aluminum, Steel and Plastic (ABS)
Finish :	Polyester powder coat
Dome Bubble :	Plastic (Acrylic)
Dimensions :	See Figure 5
Weight :	Approx. 4.3kg(sunshield included) Approx. 3.5kg
GENERAL	
Ambient Environment Temperature :	-45°C to 50°C
Ratings :	IP 65

- Weight and dimension are approximate
- Specifications are subject to change without notice.





**Figure 5. Dimension Drawing**

**Figure 6. Mount base size**

(Unit : mm)

---

PRINTED IN KOREA.