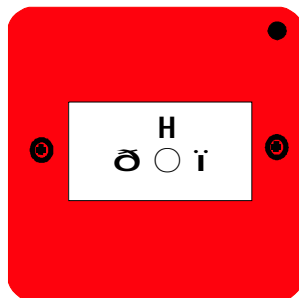


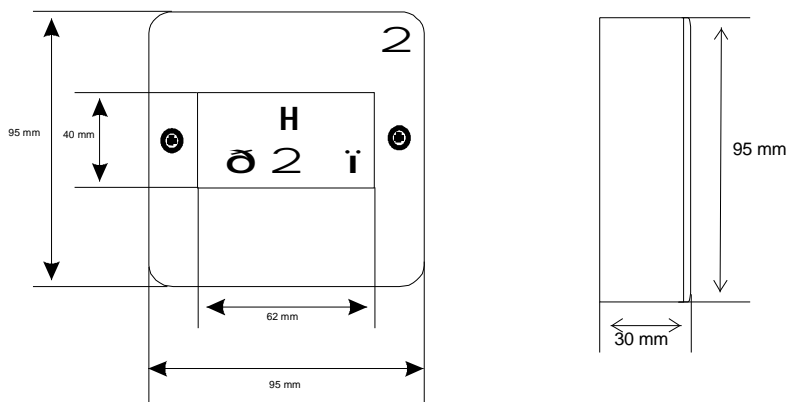
FPMC1

GLASS BREAK STATION WITH LED



GENERALITY

The glass break station mod. **FPMC1** is a manual signal for alarm for a fire detection system. A simple light pressure at the center of the glass is enough to activate the micro switch internally. The warning is also visible thanks to the red LED flashing. It may also be installed in anti-intrusion alarm systems with 12V to 24V power line. The white plexiglas front is replaceable code VP. The output is in NO-NC.

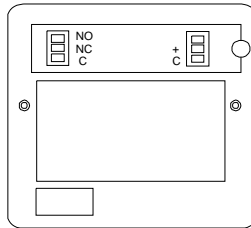


Rev: 1.01

This product has been product after: Aug. 13. 2005. For environment protection: once terminated, dispose this product in the proper waste recepticle. Do not treat it as a normal garbage unit, but dispose in the WEEE certified collection center (Waste Electrical and Electronic Equipment).



ELECTRICAL SCHEME



Description:

Switch.

C = Common

NC = Normally close

NO = Normally open

+ = Positive line

If you install it with CFNxM control panels you must use:

Rc = 220 ohm 2W

RFL = 3,9 Kohm 1/2W

If you want use a lad, you view figure 1.

If you want use a clips NO-NC-C, you view figure 2.

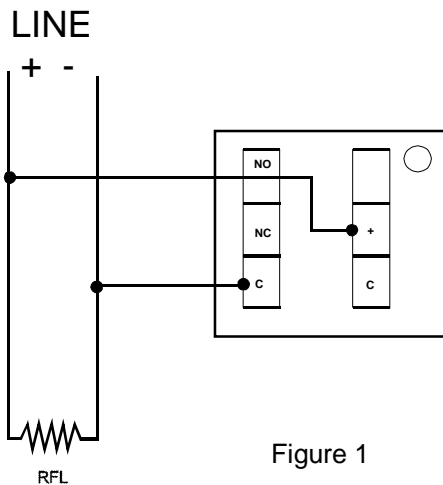


Figure 1

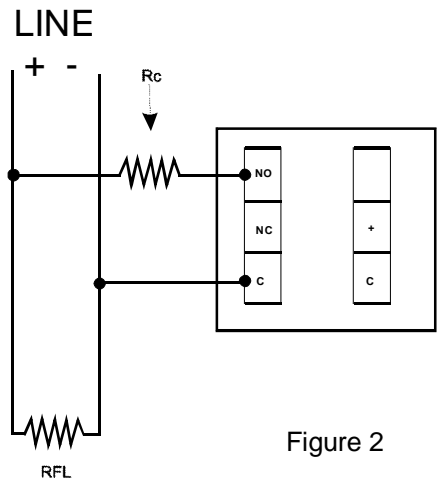


Figure 2